

SAMSUNG

VRF

Technical Data Book

**DVM S Water for America
(R410A, 60Hz, HP/HR)**



Model : AM***KXWD**
Premium Energy Efficiency Type
Premium Compact Type

Nomenclature

Outdoor units

Model name

AM	240	K	X	W	A	F	R	/	AA
(1)	(2)	(3)	(4)	(5)	(6)	(7)	(8)		(Buyer)

(1) Classification

AM	DVM
-----------	-----

(5) Feature1

W	DVM WATER
----------	-----------

(2) Capacity

BTU/H (x 1,000) (3digits)

(6) Feature2

A	Standard + General Temp.+ Module
D	STANDARD + GENERAL TEMP. + NON MODULE

(3) Version

F	2013
H	2014
J	2015
K	2016

(7) Rating Voltage

C	1Ø, 208~230V, 60Hz
F	3Ø, 208~230V, 60Hz
J	3Ø, 460V, 60Hz

(4) Product Type

X	Outdoor Unit
N	Indoor Unit

(8) Mode

R	Heat Recovery
H	Heat Pump

2. Specification

Type			DVM S Water	DVM S Water	DVM S Water	
Model Name	Outdoor unit module 1		AM038KXWDCH**	AM048KXWDCH**	AM055KXWDCH**	
	Outdoor unit module 2		AM038KXWDCH**	AM048KXWDCH**	AM055KXWDCH**	
	Outdoor unit module 3					
	Outdoor unit module 4					
Power Supply			ø, #, V, Hz	1, 2, 208~230, 60	1, 2, 208~230, 60	1, 2, 208~230, 60
Mode			-	HP	HP	HP
Performance	Ton		Ton	3	4	5
	Capacity (Nominal) ¹⁾	Cooling	Btu/h	38,200	47,800	54,600
		Heating	Btu/h	42,600	54,600	61,400
	Capacity (Rated) ²⁾	Cooling	Btu/h	38,000	48,000	54,500
Heating		Btu/h	42,000	54,000	61,000	
Maximum number of connectable indoor units			ea	6	8	9
Power	Total capacity of the connected Indoor Units	Min.	Btu/h	19,100	23,900	27,300
		Max.	Btu/h	49,700	62,100	71,000
	Power Input (Nominal) ¹⁾	Cooling	kW	2.09	2.66	3.27
		Heating		2.03	2.70	3.18
Current	MCA	A	20	24	26	
	MOP		35	40	45	
Casing	Material	Body	-	EGI steel plate	EGI steel plate	EGI steel plate
		Base	-	EGI steel plate	EGI steel plate	EGI steel plate
Compressor	Type		-	Inverter Rotary	Inverter Rotary	Inverter Rotary
	Output		kW × n	(2.82) × 1	(4.11) × 1	(4.11) × 1
	Model Name		-	UG8T300FUBJUSG x 1	UG5T450FUEJXSG x 1	UG5T450FUEJXSG x 1
	Oil	Type	-	PVE	PVE	PVE
Initial Charge		Liter	1.2	1.7	1.7	
Condenser	Type		Type	PHE (Plate Heat Exchanger)	PHE (Plate Heat Exchanger)	PHE (Plate Heat Exchanger)
	Pipe Size		ø, inch	NPT 1-1/4	NPT 1-1/4	NPT 1-1/4
	Lost Head		kPa (ftAq)	25 (8.4)	20 (6.7)	28 (9.4)
	Water Flow Rate		LPM (GPM)	40 (10.5)	50 (13.2)	60 (15.9)
	Max. Pressure		Mpa (psi)	1.96 (285)	1.96 (285)	1.96 (285)
Piping Connections	Liquid Pipe	Type		Braze connection	Braze connection	Braze connection
		ø, mm		9.52	9.52	9.52
		ø, inch		3/8	3/8	3/8
	Gas Pipe	Type		Braze connection	Braze connection	Braze connection
		ø, mm		15.88	19.05	19.05
		ø, inch		5/8	3/4	3/4
	Discharge Gas Pipe (HR)		ø, mm	-	-	-
			ø, inch	-	-	-
	Heat insulation		-	Both liquid and gas pipes	Both liquid and gas pipes	Both liquid and gas pipes
	Piping length (ODU-IDU)	Max.	m (ft)	75 (246)	75 (246)	75 (246)
	Piping length (1st Branch-IDU)	Max.	m (ft)	40 (131)	40 (131)	40 (131)
Total piping length (System)	Max.	m (ft)	200 (656)	200 (656)	200 (656)	
Level difference (ODU in highest position)	Max.	m (ft)	30 (98)	30 (98)	30 (98)	
Level difference (IDU in highest position)	Max.	m (ft)	30 (98)	30 (98)	30 (98)	
Level difference (IDU-IDU)	Max.	m (ft)	15 (49)	15 (49)	15 (49)	

2. Specification

Type				DVM S Water	DVM S Water	DVM S Water
Model Name	Outdoor unit module 1			AM038KXWDCH**	AM048KXWDCH**	AM055KXWDCH**
	Outdoor unit module 2			AM038KXWDCH**	AM048KXWDCH**	AM055KXWDCH**
	Outdoor unit module 3					
	Outdoor unit module 4					
Wiring connections	Communication	Min.	mm2	0.75	0.75	0.75
		Remark	-	F1, F2	F1, F2	F1, F2
Refrigerant	Type		-	R410A	R410A	R410A
	Factory Charging		kg (lbs)	1.1 (2.4)	1.6 (3.5)	1.6 (3.5)
Sound	Sound Pressure	Cooling	dB(A)	47	48	49
		Heating		49	50	51
	Sound Power			65	71	71
External Dimension	Net Weight		kg (lbs)	73 (161)	87 (191)	87 (191)
	Shipping Weight		kg (lbs)	80 (176)	94 (207)	94 (207)
	Net Dimensions (WxHxD)		mm	750x800x330	750x800x330	750x800x330
			inch	29.5x31.5x13.0	29.5x31.5x13.0	29.5x31.5x13.0
	Shipping Dimensions (WxHxD)		mm	812x950x392	812x950x392	812x950x392
			inch	31.9x37.4x15.4	31.9x37.4x15.4	31.9x37.4x15.4
Operating Temp. Range (Water Temp.)	Cooling		°C (°F)	10~45 (50~113)	10~45 (50~113)	10~45 (50~113)
	Heating		°C (°F)	10~45 (50~113)	10~45 (50~113)	10~45 (50~113)

NOTE

- Specification may be subject to change without prior notice.
- 1)* Nominal capacities are based on (Equivalent refrigerant piping : 25ft(7.5m), Level differences : 0ft(0m)
 - Cooling : Indoor temperature : 80°F(26.7°C) DB, 67°F(19.4°C) WB / Inlet water temperature : 85°F(29.4°C)
 - Heating : Indoor temperature : 70°F(21.1°C) DB, 60°F(15.6°C) WB / Inlet water temperature : 68°F(20°C)
- 2)* Rated capacities are based on (Equivalent refrigerant piping : 25ft(7.5m), Level differences : 0ft(0m)
 - Cooling : Indoor temperature : 80.6°F(27°C) DB, 66.2°F(19°C) WB / Inlet water temperature : 86°F(30°C)
 - Heating : Indoor temperature : 68°F(20°C) DB, 59°F(15°C) WB / Inlet water temperature : 68°F(20°C)
- Sound pressure level is obtained in an anechoic room.
 - Sound pressure level is a relative value, depending on the distance and acoustic environment.
 - Sound pressure level may differ depending on operation condition.
 - dBA = A-weighted sound pressure level
 - Reference acoustic pressure 0 dB = 20uPa
- Sound power level is an absolute value that a sound source generates.
 - dBA = A-weighted sound power level
 - Reference power : 1pW
 - Measured according to ISO 3741
- Sound values of multi combination are theoretical values based on sound results of individual installed units.
- These products contain R410A which is fluorinated greenhouse gas.
- Total capacity of the connected indoor units can be allowed from 50% to 130% of the total outdoor unit capacity.
 $0.5 \times \sum(\text{Outdoor unit capacity}) \leq \text{Total capacity of the connected indoor units} \leq 1.3 \times \sum(\text{Outdoor unit capacity})$
- You can connect maximum 64 indoor units to the outdoor unit. Maximum quantity of connectable indoor unit is set to 64 since outdoor unit only support up to 64 communication address. Indoor unit address can be assigned from indoor unit address was assigned from 64~79, E201 error will occur.0~63.
 If the indoor unit address was assigned from 64~79, E201 error will occur.

3. Electric Characteristics

Capacity Ton	Model	Power Supply				Voltage Range		Current [A]	
		Ø	#	Voltage	Hz	Min. (-10%)	Max. (+10%)	MCA	MOP
3	AM038KXWD*x	1	2	208~230	60	187.2	253	20.0	35
4	AM048KXWD*x	1	2	208~230	60	187.2	253	24.0	40
5	AM055KXWD**	1	2	208~230	60	187.2	253	26.0	45

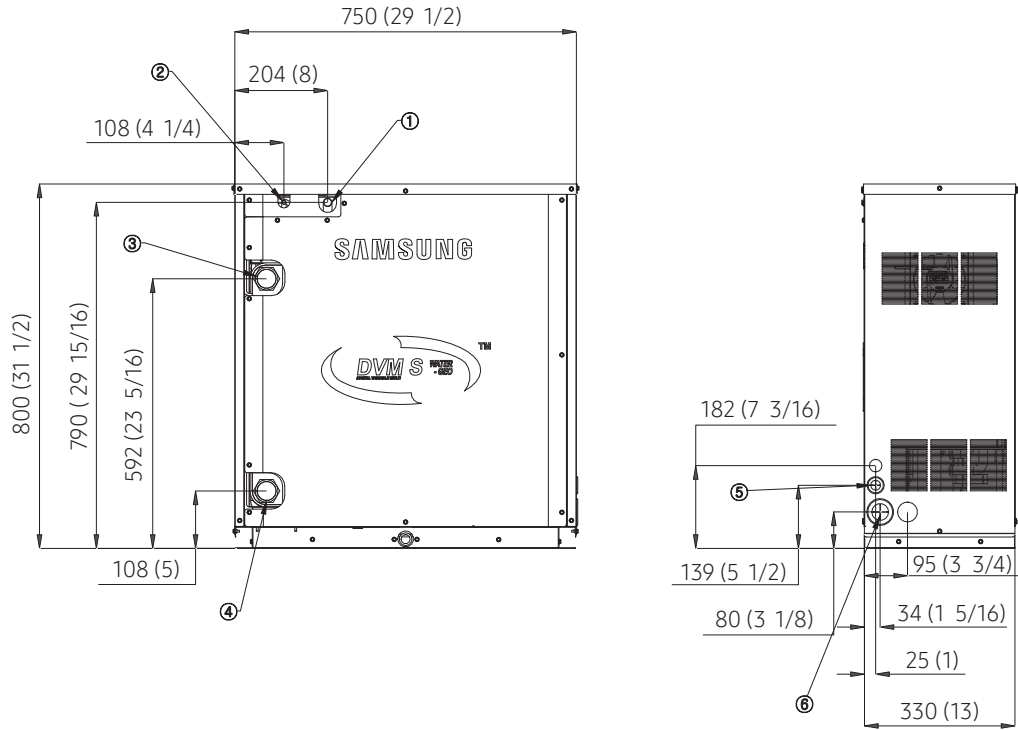
Premium Energy Efficiency Type

Capacity Ton	Model	Power Supply				Voltage Range		Current [A]	
		Ø	#	Voltage	Hz	Min. (-10%)	Max. (+10%)	MCA	MOP
6	AM072HXWAFR	3	3	208~230	60	187.2	253	16.0	25
8	AM096HXWAFR	3	3	208~230	60	187.2	253	23.0	40
10	AM120HXWAFR	3	3	208~230	60	187.2	253	30.0	50
12	AM144HXWAFR2	3	3	208~230	60	187.2	253	32.0	50
14	AM168HXWAFR2	3	3	208~230	60	187.2	253	39.0	65
16	AM192HXWAFR	3	3	208~230	60	187.2	253	39.6	50
18	AM216HXWAFR2	3	3	208~230	60	187.2	253	53.0	90
20	AM240HXWAFR2	3	3	208~230	60	187.2	253	60.0	100
22	AM264HXWAFR2	3	3	208~230	60	187.2	253	55.6	75
24	AM288HXWAFR2	3	3	208~230	60	187.2	253	62.6	90
26	AM312HXWAFR2	3	3	208~230	60	187.2	253	69.6	100
28	AM336HXWAFR2	3	3	208~230	60	187.2	253	71.6	100
30	AM360HXWAFR2	3	3	208~230	60	187.2	253	78.6	115
32	AM384HXWAFR2	3	3	208~230	60	187.2	253	79.2	100
34	AM408HXWAFR2	3	3	208~230	60	187.2	253	92.6	140
36	AM432HXWAFR2	3	3	208~230	60	187.2	253	99.6	150
38	AM456HXWAFR2	3	3	208~230	60	187.2	253	95.2	125
40	AM480HXWAFR2	3	3	208~230	60	187.2	253	102.2	140
42	AM504HXWAFR2	3	3	208~230	60	187.2	253	109.2	150
48	AM576HXWAFR2	3	3	208~230	60	187.2	253	118.8	150

4. Dimensional Drawing

AM038/048/055KXWDCH** (3, 4, 5Ton)

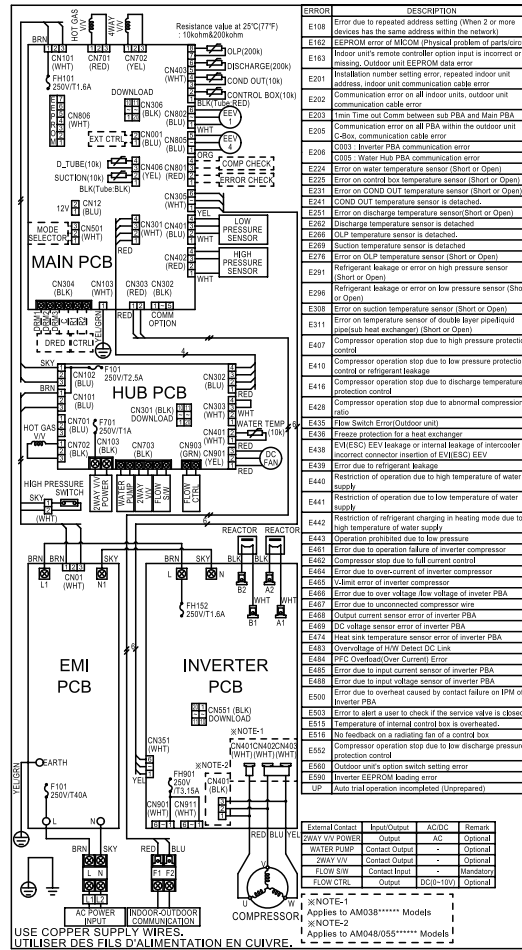
Unit : mm (inches)



No.	Name	Description	No.	Name	Description
①	Gas ref. pipe	15.88 (5/8")	④	Water inlet pipe	NPT 1-1/4
②	Liquid ref. pipe	9.52 (3/8")	⑤	Communication wiring	-
③	Water outlet pipe	NPT 1-1/4	⑥	Power wiring	-

6. Electrical Wiring Diagram

AM038/048/055KXWDCH*^{*}



EMI PCB	Printed circuit board(EMI)	HOT GAS	Solenoid valve(HOT GAS)
INVERTER PCB	Printed circuit board(inverter)	4WAY V/V	Solenoid valve(4WAY)
MAIN PCB	Printed circuit board(main)	OLP(200k)	Thermistor (OLP)
HUB PCB	Printed circuit board(hub)	DISCHARGE(200k)	Thermistor (DISCHARGE)
EEV1	electronic expansion valve 1	CONDOUT(200k)	Thermistor (CONDOUT)
EEV4	electronic expansion valve 4	CONTROL BOX(10k)	Thermistor (CONTROL BOX)
WATER TEMP(10k)	Thermistor (WATER TEMP)	EVI EEV	electronic expansion valve(EVI)
OLP(200k)	Thermistor (OLP)	EVI V/V 1	Solenoid valve(Enhanced Vapor Injection_1)
EVI EEV	electronic expansion valve(EVI)	EVI V/V 2	Solenoid valve(Enhanced Vapor Injection_2)

NOTE

- This wiring diagram applies only to the water-cooled DVM S Water.
- Colors BLK: black, RED: red, BLU: blue, WHT: white, YEL: yellow, BRN: brown, SKY: skyblue , ORG: orange, GRN: green
- When operating, don't short circuit the protection device (High Pressure switch)
- For connection wiring indoor-outdoor transmission F1-F2, outdoor-outdoor transmission OF1-OF2, refer to the installation manual.
- Protective earth(screw) , connector, : The wire quantity

7. Sound Data

Summary

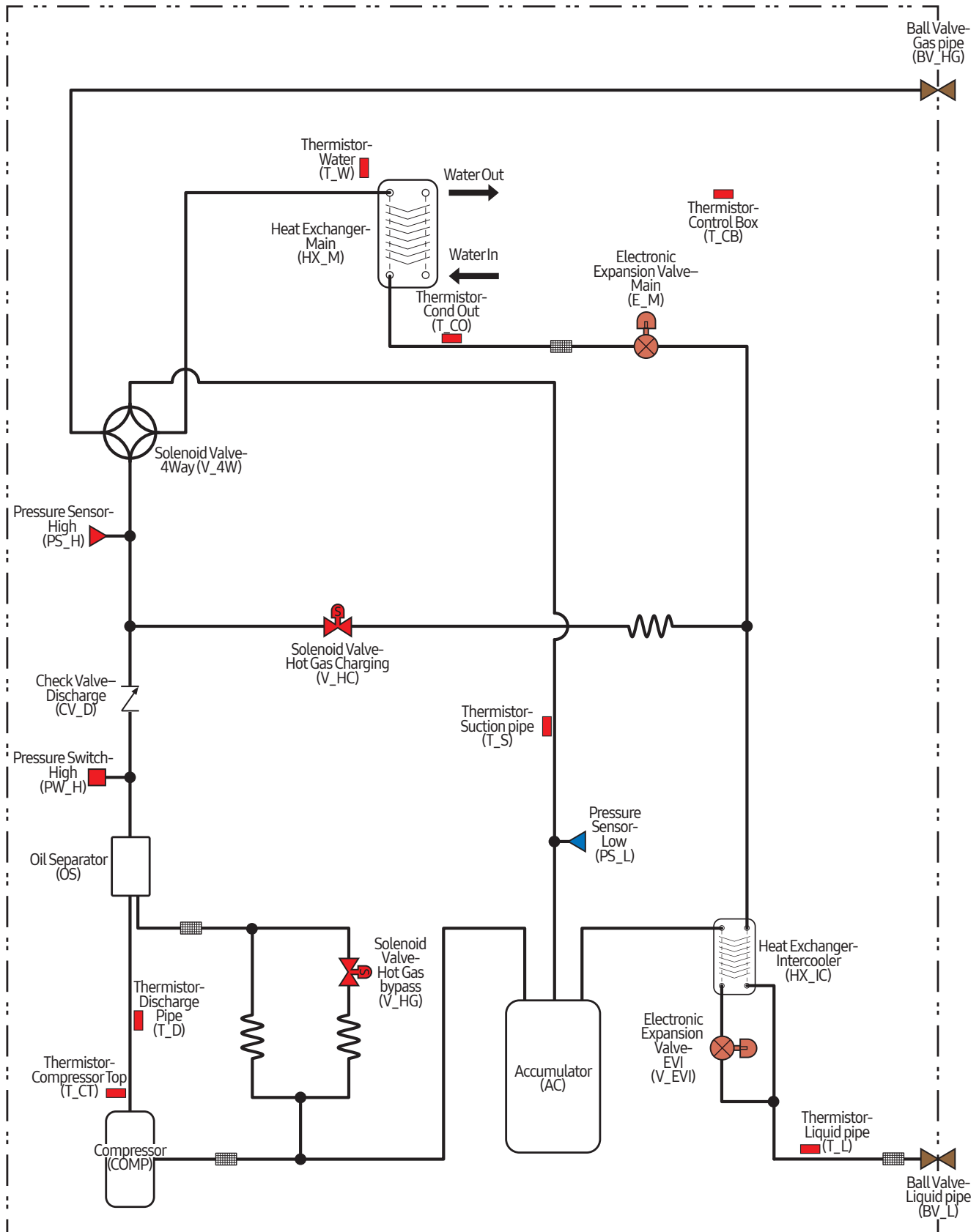
Capacity Ton	Model	Sound Pressure (dBA)		Sound Power (dBA)
		Cooling	Heating	
3	AM038KXWD*x	47	49	65
4	AM048KXWD*x	48	50	71
5	AM055KXWD*x	49	51	71

Premium Energy Efficiency Type

Capacity Ton	Model	Sound Pressure (dBA)		Sound Power (dBA)
		Cooling	Heating	
6	AM072HXWA*xR	48	51	70
8	AM096HXWA*xR	48	51	70
10	AM120HXWA*xR	50	52	70
12	AM144HXWA*xR2	51	54	73
14	AM168HXWA*xR2	51	54	73
16	AM192HXWA*xR	51	52	73
18	AM216HXWA*xR2	52	55	73
20	AM240HXWA*xR2	53	55	73
22	AM264HXWA*xR2	53	56	75
24	AM288HXWA*xR2	53	55	75
26	AM312HXWA*xR2	53	55	75
28	AM336HXWA*xR2	54	56	75
30	AM360HXWA*xR2	54	56	76
32	AM384HXWA*xR2	54	55	76
34	AM408HXWA*xR2	55	56	76
36	AM432HXWA*xR2	55	57	76
38	AM456HXWA*xR2	55	56	77
40	AM480HXWA*xR2	55	56	77
42	AM504HXWA*xR2	55	57	77
48	AM576HXWA*xR2	56	57	78

9. Piping Diagram

AM038/048/055KXWDCH**





Samsung Electronics Co., LTD.

Head Office (Suwon Korea) 129, Samsung-Ro, Yeongtong-Gu, Suwon City, Gyeonggi-Do, Korea 16677
Website : www.samsung.com, <https://partnerhub.samsung.com> Email : airconditioner@samsung.com
Images and data in this book may subject to change without prior notice.

2019.02
Ver.2.1